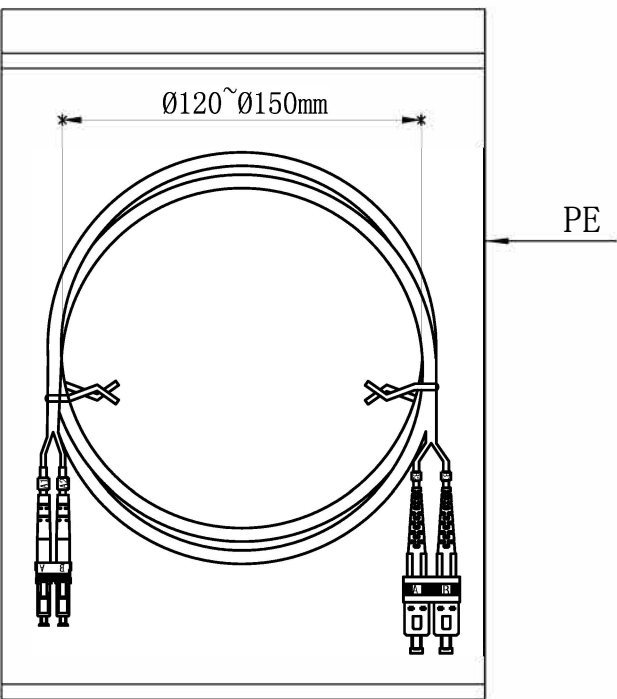
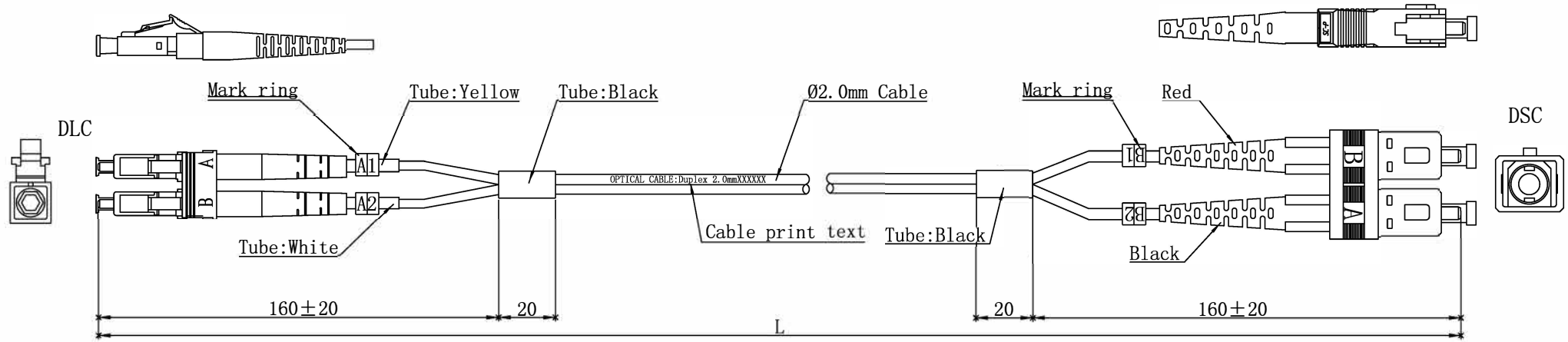


NOTE: ALL MATERIAL COMPLIANT ROHS STANDARD

REVISION INFORMATION

Rev.	Rev. Date	Modified By	Brief Description



Specifications:

Type	DLC/UPC-DSC/UPC
Fiber Mode	SM
Core Diameter(um)	9/125
Operating Wavelength(nm)	1310/1550
Cable Color	Yellow
Cable Diameter(mm)	Ø2.0
Operating Temperature(° C)	-40~+75
Storage Temperature(° C)	-40~+85
SC Connector Color(Boot)	Red/Blcak
Insertion loss(dB)	≤0.3dB
Return loss(dB)	≥50dB

L ≤ 5m, TOLERANCES: 0 ≤ ΔL ≤ 5cm
 L > 5m, TOLERANCES: 0 ≤ ΔL ≤ 1%*L

LANshack
 Sales@LANshack.com | 888-568-1230

NO.	PART NAME	SPECIFICATION DESCRIPTION	QTY	UNIT
①				
②				
③				

Unless specified on the drawing, tolerances are per the follows:
 .x +1
 +0.2
 .xx +0.05

DRAWN BY	DATE: 2015/05/14	DESCRIPTION: LC-SC-DX SM Patchcord
CHECKED BY	SHEET 1of1	ITEM NO. SFPC-SM-LCSC-XX
APPROVED BY	SCALE 1:1	REV. 00 UNIT:mm